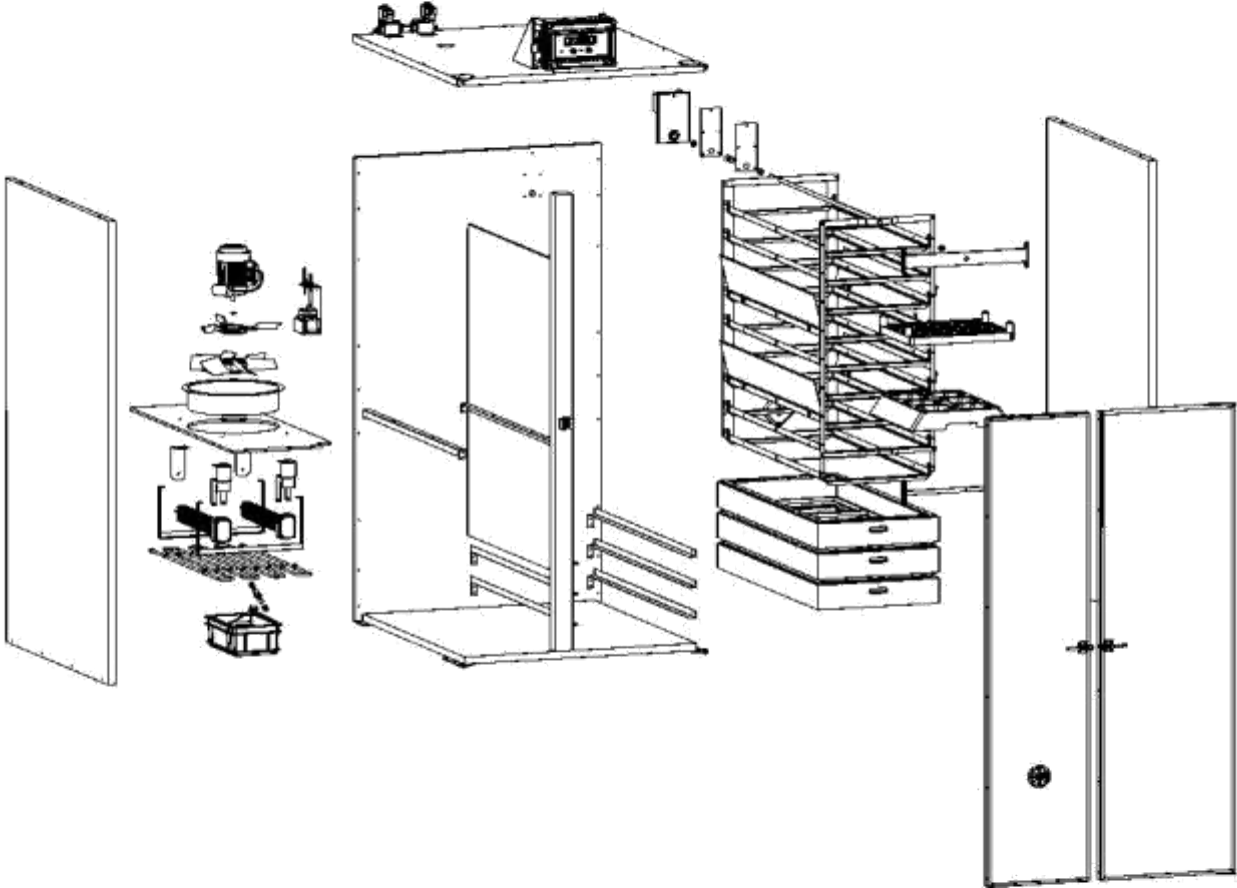
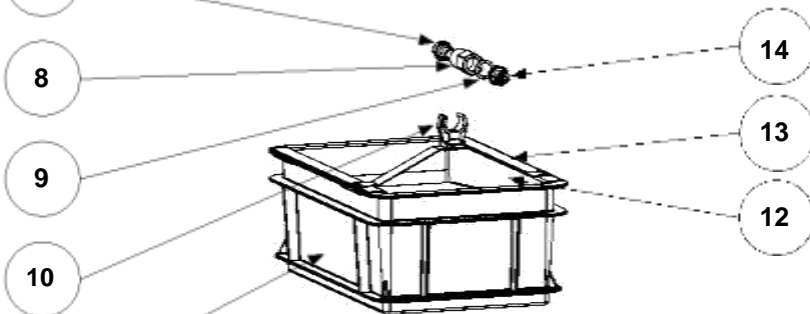
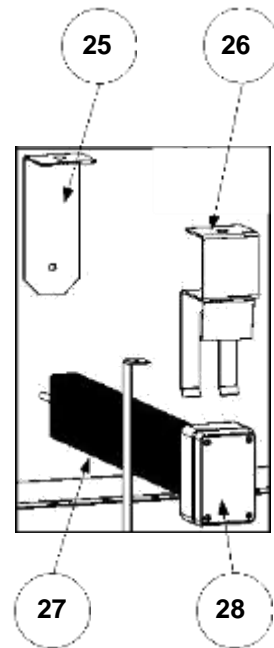
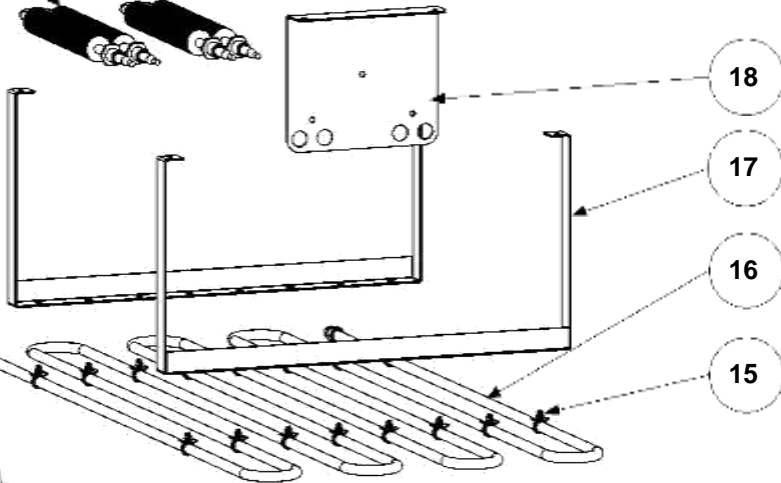
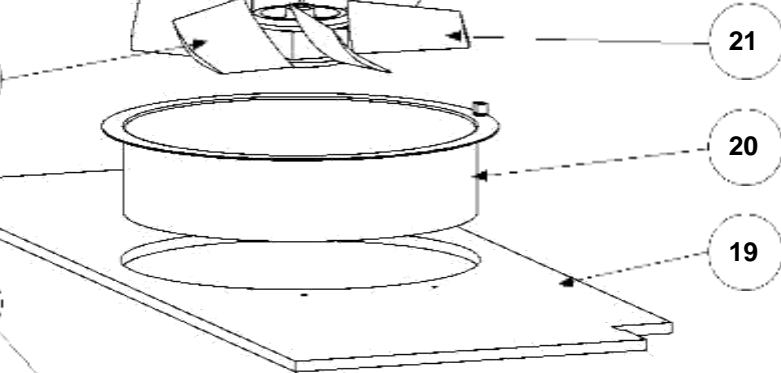
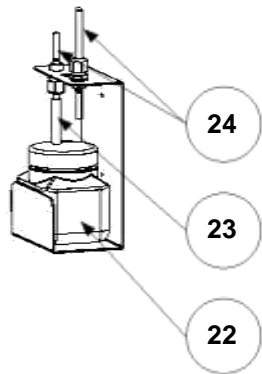
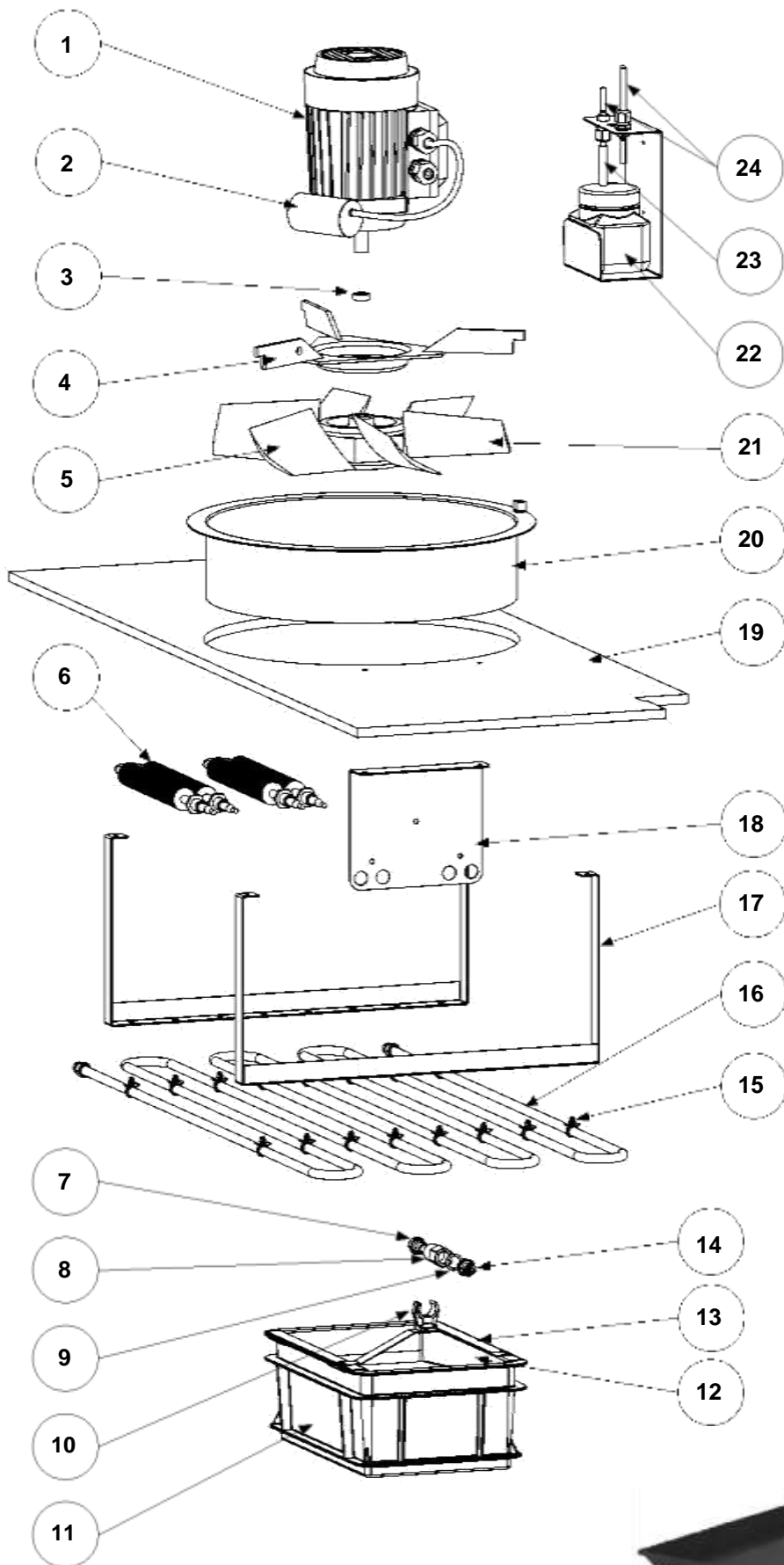


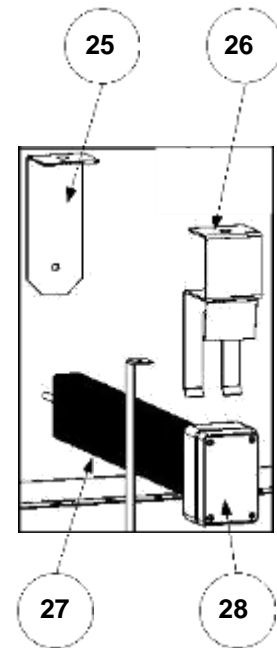
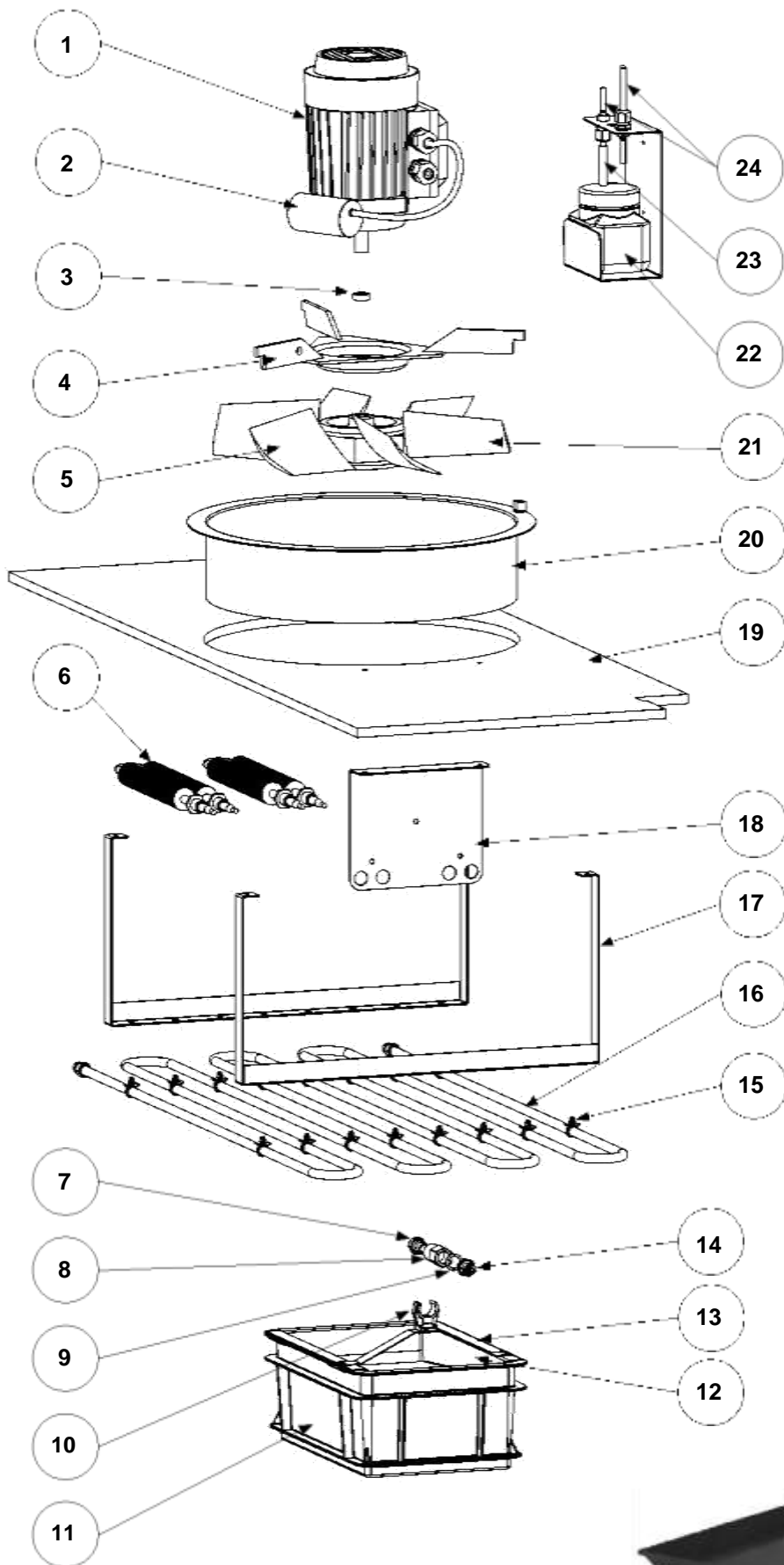
DANKI Medium-Size incubators Type 1,2,3 Spare parts list





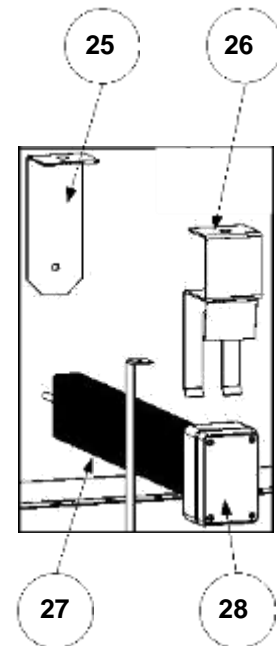
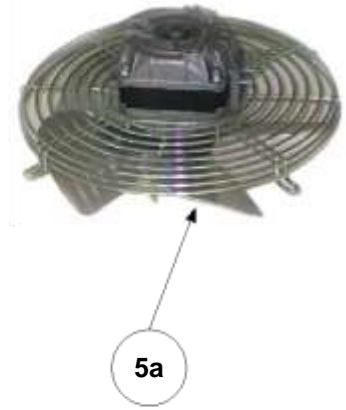
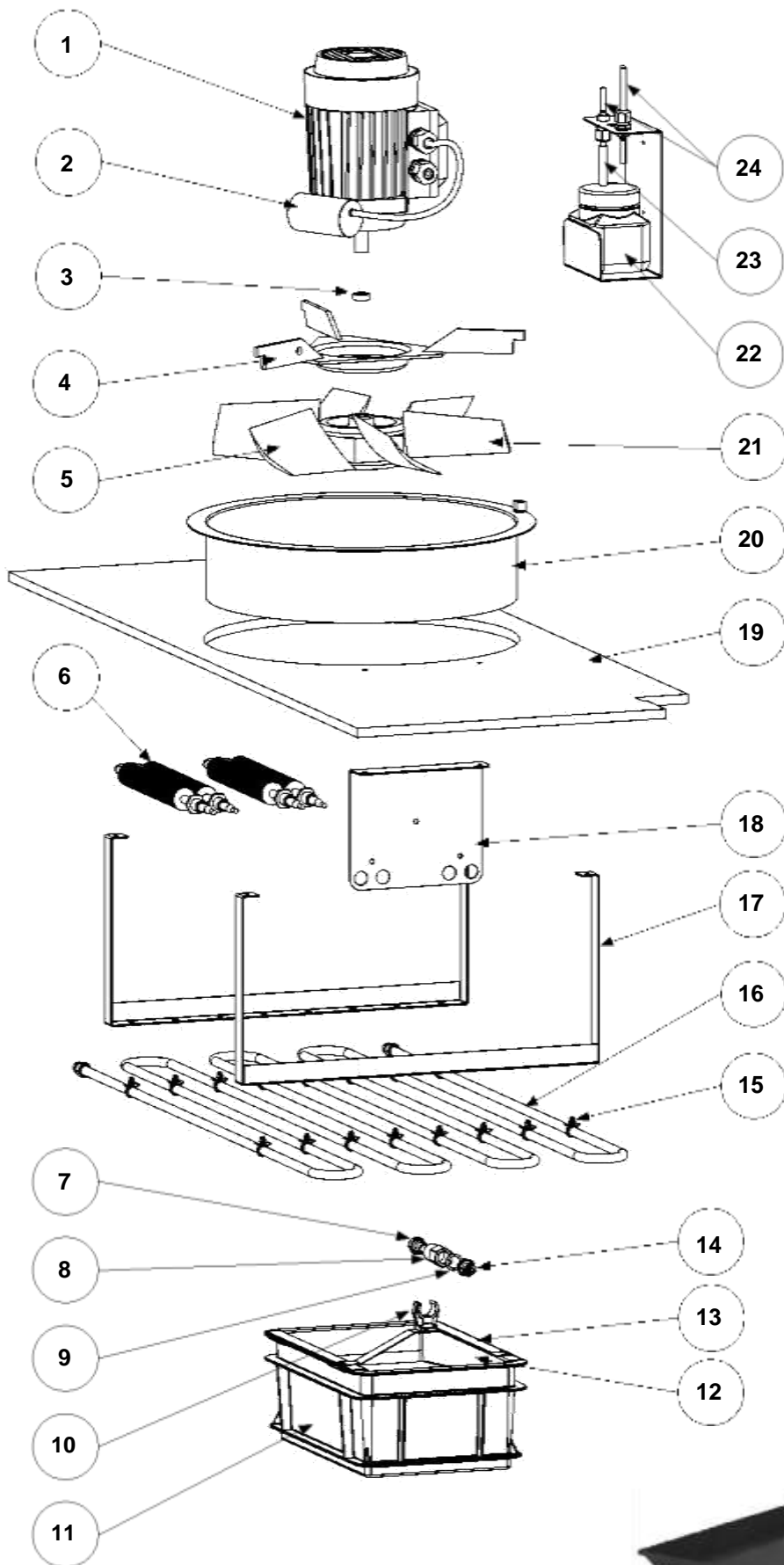
VENTILATOR

Pos.	Ref.No	Benævnelse: Description:
1	74038089	Motor 0,12 kW 63K4 B14 400V 50Hz (1/2300-4600, 2/2500-5000-10000, 3/1700-3400) El.motor MT63B14F75-4 0,12kW (1/2300-4600, 2/2500-5000-10000, 3/1700-3400)
2	75100007	Kondensator 16 uF (1/2300-4600, 2/2500-5000-10000, 3/1700-3400) Capacitor 16 uF (1/2300-4600, 2/2500-5000-10000, 3/1700-3400)
3	6111-065	Afstandsbøsning for motor (1/2300-4600, 2/2500-5000-10000, 3/1700-3400) Distance bushing for motor (1/2300-4600, 2/2500-5000-10000, 3/1700-3400)
4	0611-368	Motorophæng for 320mm (1/2300, 2/2500-10000, 3/1700-3400) Motor suspension for 320mm (1/2300, 2/2500-10000, 3/1700-3400)
	0612-157	Motorophæng for 370mm (1/4600, 2/5000) Motor suspension for 370mm (1/4600, 2/5000)
5	23300111	Propel 315 (1/2300, 2/2500-10000, 3/1700-3400) Propeller 315 (1/2300, 2/2500-10000, 3/1700-3400)
	23300112	Propel 365 (1/4600, 2/5000) Propeller 365 (1/4600, 2/5000)
5a	0661-302	Ventilator komplet (1/800, 2/1000, 3/1000) Ventilator complete (1/800, 2/1000, 3/1000)
6	74123006	Varmeelement 500W / 230V Heating element 500W / 230V
7	79900000	Forstøverdyse 3,2 kg Atomizing Nozzle 3,2 kg
8	79900001	Holder for dyse Fixture for atomizing Nozzle
9	12100158	Nylonpakning 266N 1/4x1,5 Nylon gasket 266N 1/4x1,5
10	23900342	Rørbærer 18mm Tube holder 18mm
11	23200057	Plastkasse u/drypplade grå Plastic box w/o drip plate, grey
12	6121-020	Drypplade for befugtning Drip plate for humidifier
13	6111-058	Beslag for dyse Fittings for nozzle
14	12100258	Ligeforskruning 151M 6/4-1/4 Straight union 151M 6/4-1/4
15	23200047	Kabel og rørholder 2343 Cable and tube holder 2343



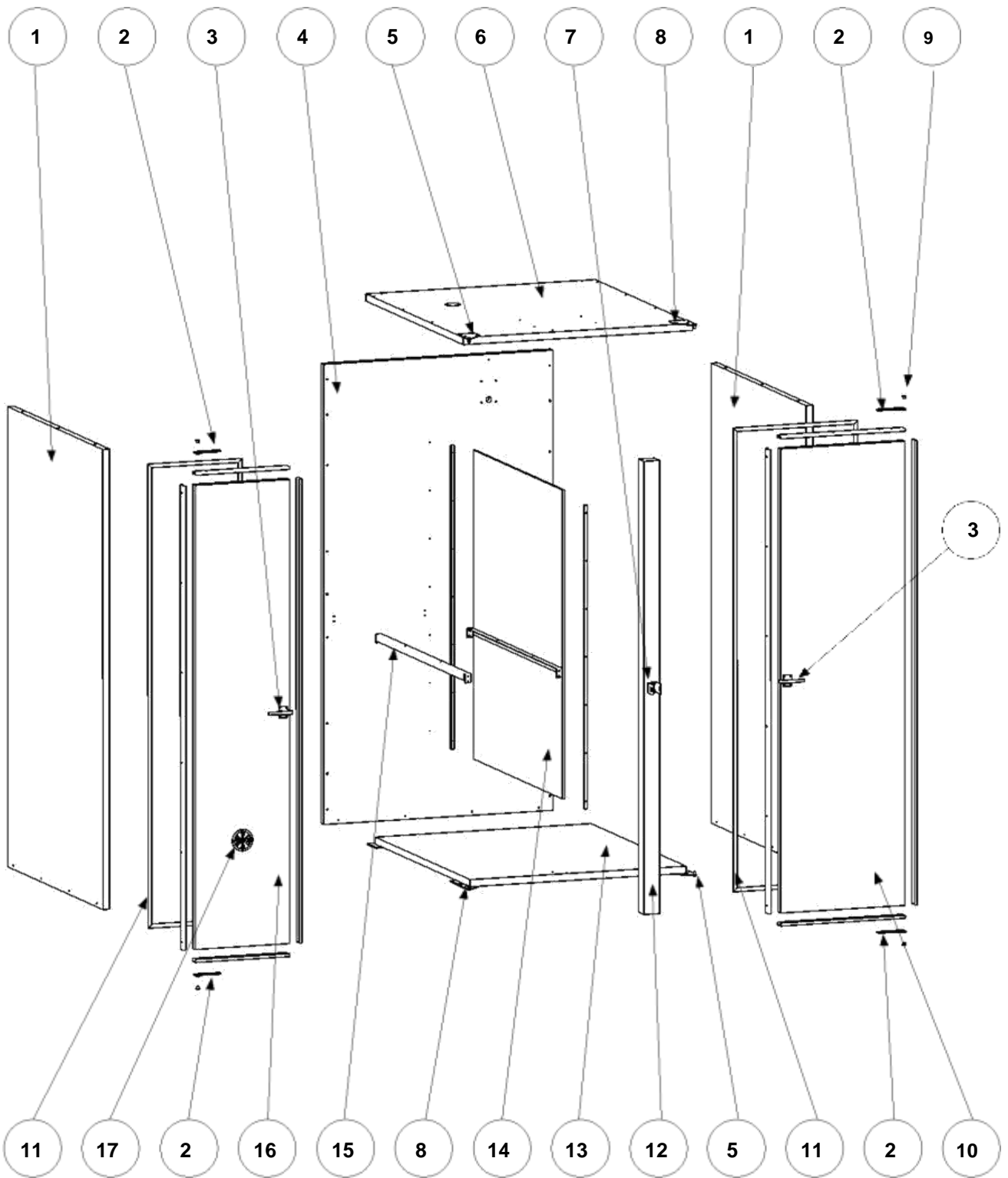
VENTILATOR

Pos.	Ref.No	Benævnelse: Description:
16	6111-040	Køleelement m/fittings medium Cooling element with fittings, medium
17	6121-018	Beslag for køleelement (1/2300, 2/2500-10000, 3/1700-3400) Fittings for cooling elem. (1/2300, 2/2500-10000, 3/1700-3400)
	6111-038	Beslag for køleelement (1/4600, 2/5000) Fittings for cooling elem. (1/4600, 2/5000)
18	6103-021	Beslag for varmelegeme (1/800, 2/1000, 3/1000) Fittings for heating element (1/800, 2/1000, 3/1000)
	6111-077	Beslag for varmelegeme for medium mask. Fittings for heating element
19	6103-018	Motorplade for combi (1/800, 2/1000, 3/1000) Motor plate for combi (1/800, 2/1000, 3/1000)
	6101-008	Motorplade 10x404x1062 (1/2300, 2/2500) Motor plate 10x404x1062 (1/2300, 2/2500)
	6111-007	Motorplade 10x460x1062 (1/4600, 2/5000) Motor plate 10x460x1062 (1/4600, 2/5000)
	6121-017	Motorplade 10x404x886 (3/1700) Motor plate 10x404x886 (3/1700)
	6113-001	Motorplade (2/10000) Motor plate, (2/10000)
	6122-005	Motorplade (3/3400) Motor plate (3/3400)
20	0611-240	Ventilatorsvøb 320 (1/2300, 2/2500-10000, 3/1700-3400) Fan housing 320 (1/2300, 2/2500-10000, 3/1700-3400)
	0612-125	Ventilatorsvøb 370 (1/4600, 2/5000) Fan housing 370 (1/4600, 2/5000)
21	23300107	Propelvinge 315mm (1/2300, 2/2500-10000, 3/1700-3400) Fanblade 315mm (1/2300, 2/2500-10000, 3/1700-3400)
	23300108	Propelvinge 370mm (1/4600, 2/5000) Fanblade 370mm (1/4600, 2/5000)
22	23200056	Plastbeholder m. skrugelåg 250ml. Plastic container with screw cap. 250ml.
23	99900039	Væge for føler Wick for sensor



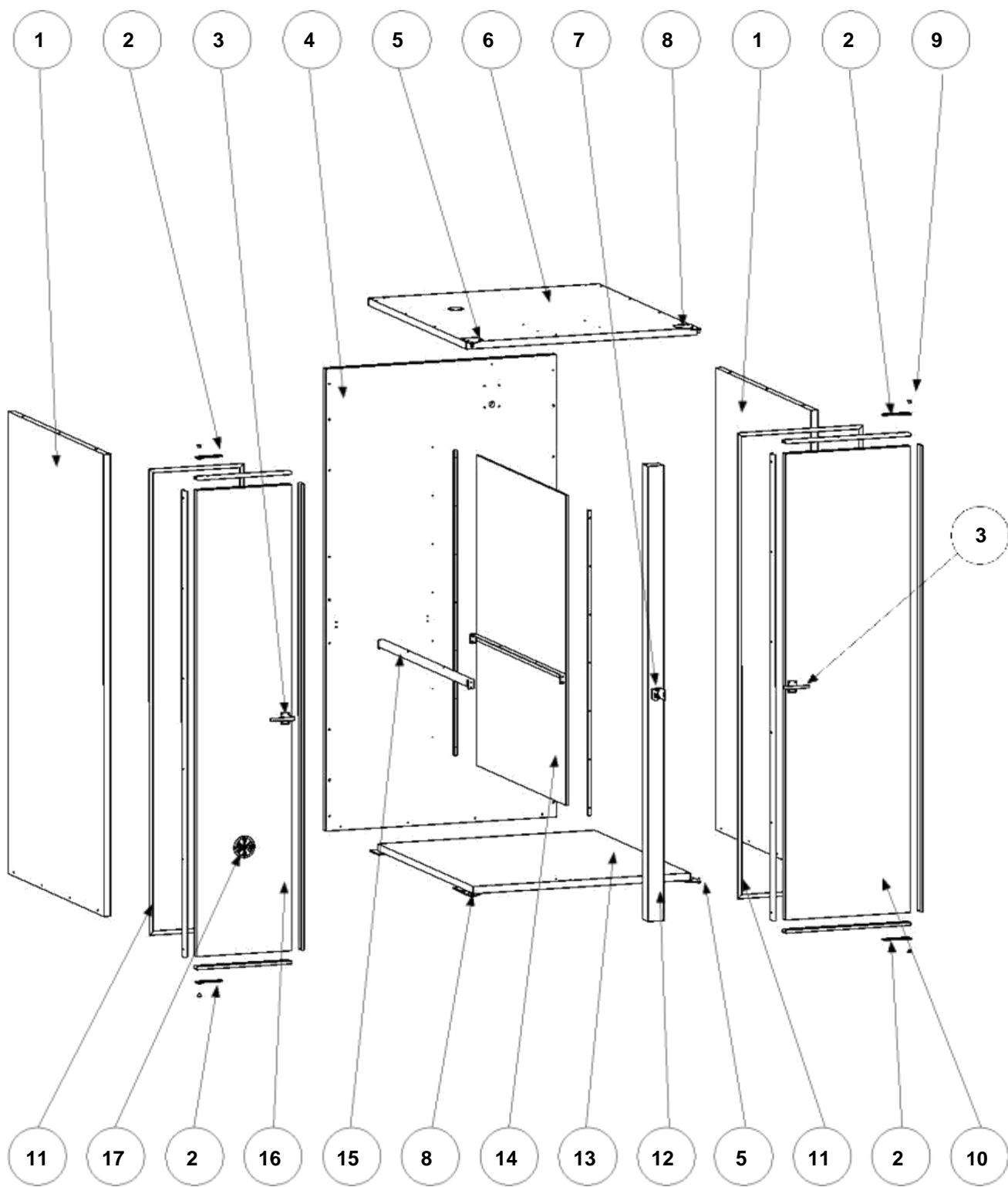
VENTILATOR

Pos.	Ref.No	Benævnelse: Description:
24	0631-238	Føler Ni 100 m/ 3 mtr. kabel Sensor NI 100 w/ 3 mtr. cable
25	0661-274	Beslag for varmelegeme Fittings for heating element
26	0661-273	Beslag for varmelegeme komplet Fittings for heating element, complete
27	74138004	Varmelegeme 1500W / 400V - 500W / 230V Heating element 1500W / 400V - 500W / 230V
28	0661-272	Varmelegeme 2x1500W 380V / 2x500W 220V Heating elem. 2x1500W 380V / 2x500W 220V
29	9343 0015	Vandbakke 42x58 cm Water tray 42x58 cm
		Vandbakke 45x30 cm Water tray 45x30 cm



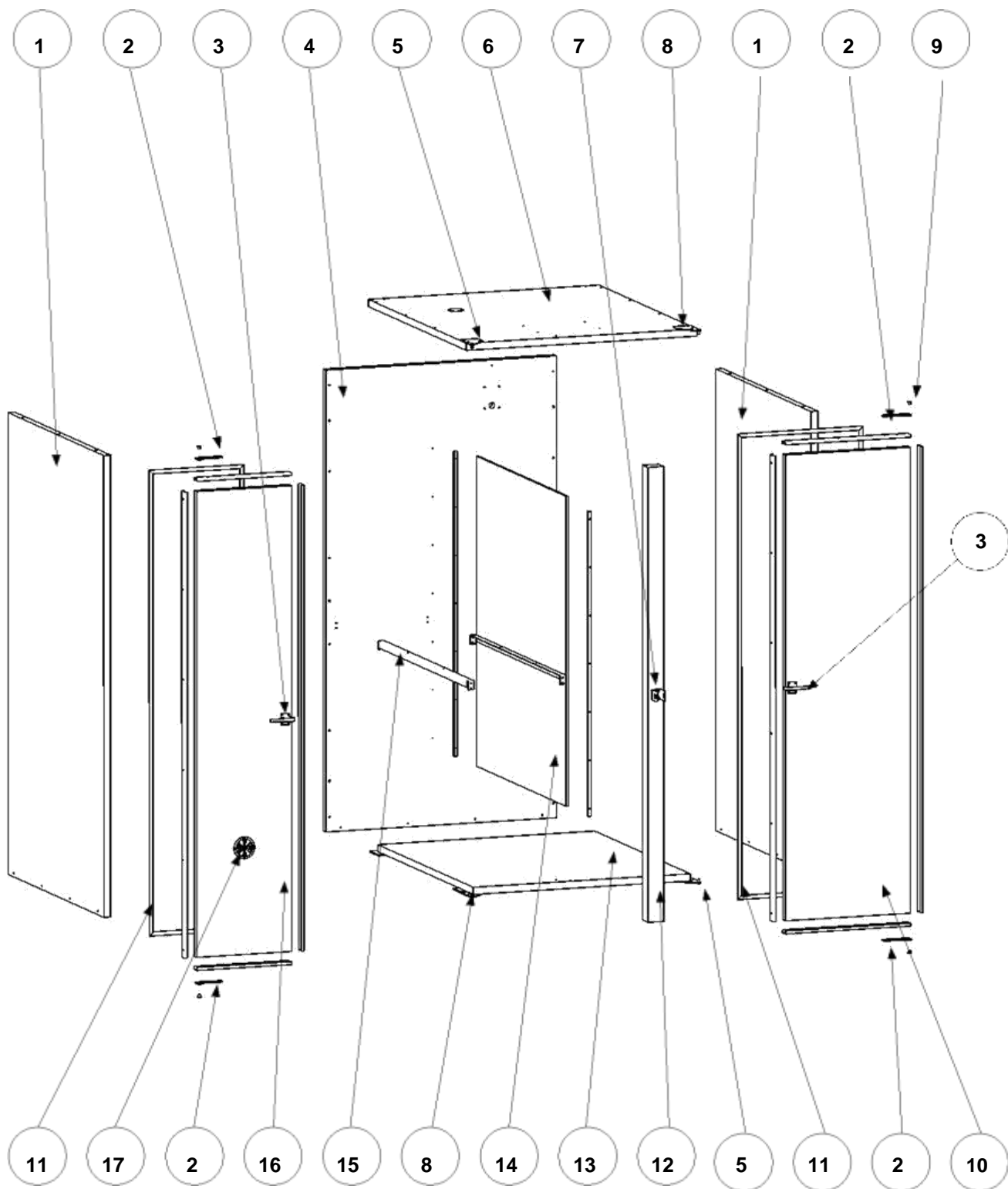
KABINET

Pos.	Ref.No	Benævnelse: Description:
1	6111-022	Sideelement 1064x1818 (for 1/2300-4600, 2/2500-5000-10000 Side element 1064x1818 (for 1/2300-4600, 2/2500-5000-10000
	6121-008	Sideelement 916x1818 (for 3/1700-3400) Side element 916x1818 (for 3/1700-3400)
2	6111-046	Hængseldel for dør medium Hinge part for door, medium
3	9 99900209	Lukketøj forchromet Closing device, chromium-plated
4	6101-001	Bagelement 954x1818 (for 1/2300, 2/2500) Rear element 954x1818 (for 1/2300, 2/2500)
	6111-023	Bagelement venstre 750x1818 (for 1/4600, 2/5000) Rear element, left, 750x1818 (for 1/4600, 2/5000)
	6113-008	Bagelement venstre 1240x1818 (for 2/10000) Rear element, left, 1240x1818 (for 2/10000)
	6111-054	Bagelement højre 750x1818 (for 1/4600, 2/5000) Rear element, right, 750x1818 (for 1/4600, 2/5000)
	6113-014	Bagelement højre 1240x1818 (for 2/10000) Rear element, right 1240x1818 (for 2/10000)
	6121-009	Bagelement 1140x1818 (for 3/1700) Rear element 1140x1818 (for 3/1700)
	6122-006	Bagelement venstre (for 3/3400) Rear element left (for 3/3400)
	6122-002	Bagelement højre (for 3/3400) Rear element right (for 3/3400)
5	6111-052	Hængseldel fast med tap venstre Hinge part, fixed, with pivot, left
6	6101-003	Loftelement 954x1092 (for 1/2300, 2/2500) Ceiling element 954x1092 (for 1/2300, 2/5000)
	6111-024	Loftelement 1092x1500 (for 1/4600, 2/5000) Ceiling element 1092x1500 (for 1/4600, 2/5000)
	6113-009	Loftelement 1092x2480 (for 2/10000) Ceiling element 1092x2480 (for 2/10000)
	6121-010	Loftelement 944x1140 (for 3/1700) Ceiling element 944x1140 (for 3/1700)
	6122-003	Loftelement (for 3/3400) Ceiling element (for 3/3400)



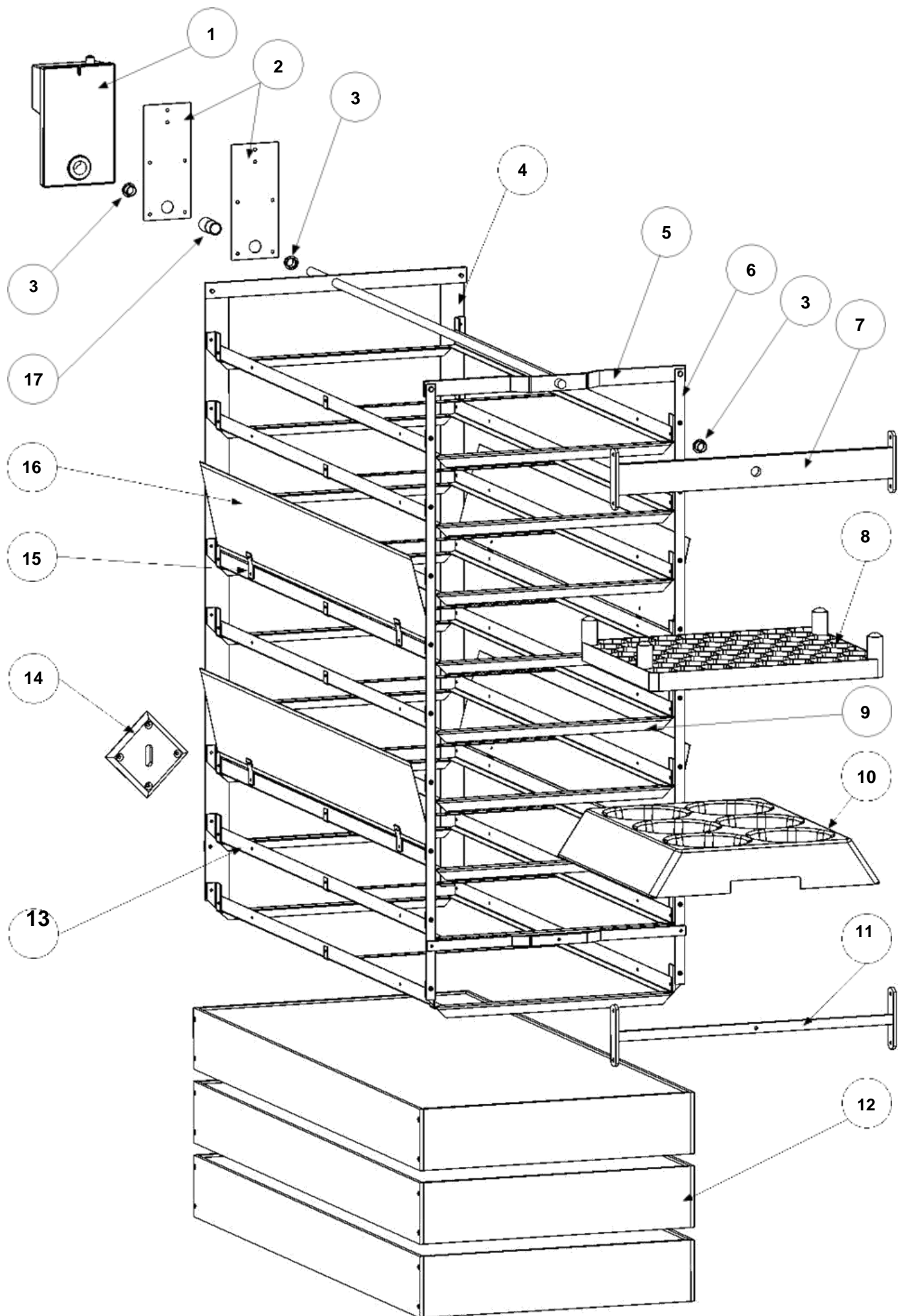
KABINET

Pos.	Ref.No	Benævnelse: Description:
7	6111-056	Lukkebeslag for dør Lock fittings for door
8	6111-053	Hængseldel fast med tap højre Hinge part, fixed, with pivot, right
9	9 23900306	Teflonbøsning PAF 08095 P11 Teflon bushing PAF 08095 P11
10	6111-028	Dør højre (for 1/4600, 2/5000) Door, right (for 1/4600, 2/5000)
	6113-010	Dør højre 1834x1008 (for 2/10000) Door, right 1834x1008 (for 2/10000)
	6111-030	Dør venstre (for 1/4600, 2/5000) Door, left (for 1/4600, 2/5000)
	6113-012	Dør venstre 1834x1008 (for 2/10000) Door, left 1834x1008 (for 2/10000)
	6121-012	Dør for klækker Door for hatcher
11	9 29100071	Q-Lon dørliste type 3061grå Q-Lon door lining type 3061 grey
12	6111-025	Stolpe Support
13	6101-002	Bundelement 898x1064 (for 1/2300, 2/2500) Bottom element 898x1064 (for 1/2300, 2/2500)
	6111-021	Bundelement 1064x1444 (for 1/4600, 2/5000) Bottom element 1064x1444 (for 1/4600, 2/5000)
	6113-007	Bundelement 1064x2424 (for 2/10000) Bottom element 1064x2424 (for 2/10000)
	6121-007	Bundelement klækker 916x1084 (for 3/1700) Bottom element hatcher 916x1084 (for 3/1700)
	6122-001	Bundelement klækker (for 3/3400) Bottom element hatcher (for 3/3400)
14	6111-032	Skillevæg 10x998x1220 (for 1/2300-4600, 2/2500-5000-10000) Partition 10x998x1220 (for 1/2300-4600, 2/2500-5000-10000)
	6113-016	Skillevæg (for 2/10000) Partition (for 2/10000)
	6121-015	Skillevæg 10x882x1220 (for 3/1700-3400) Partition 10x882x1220 (for 3/1700-3400)



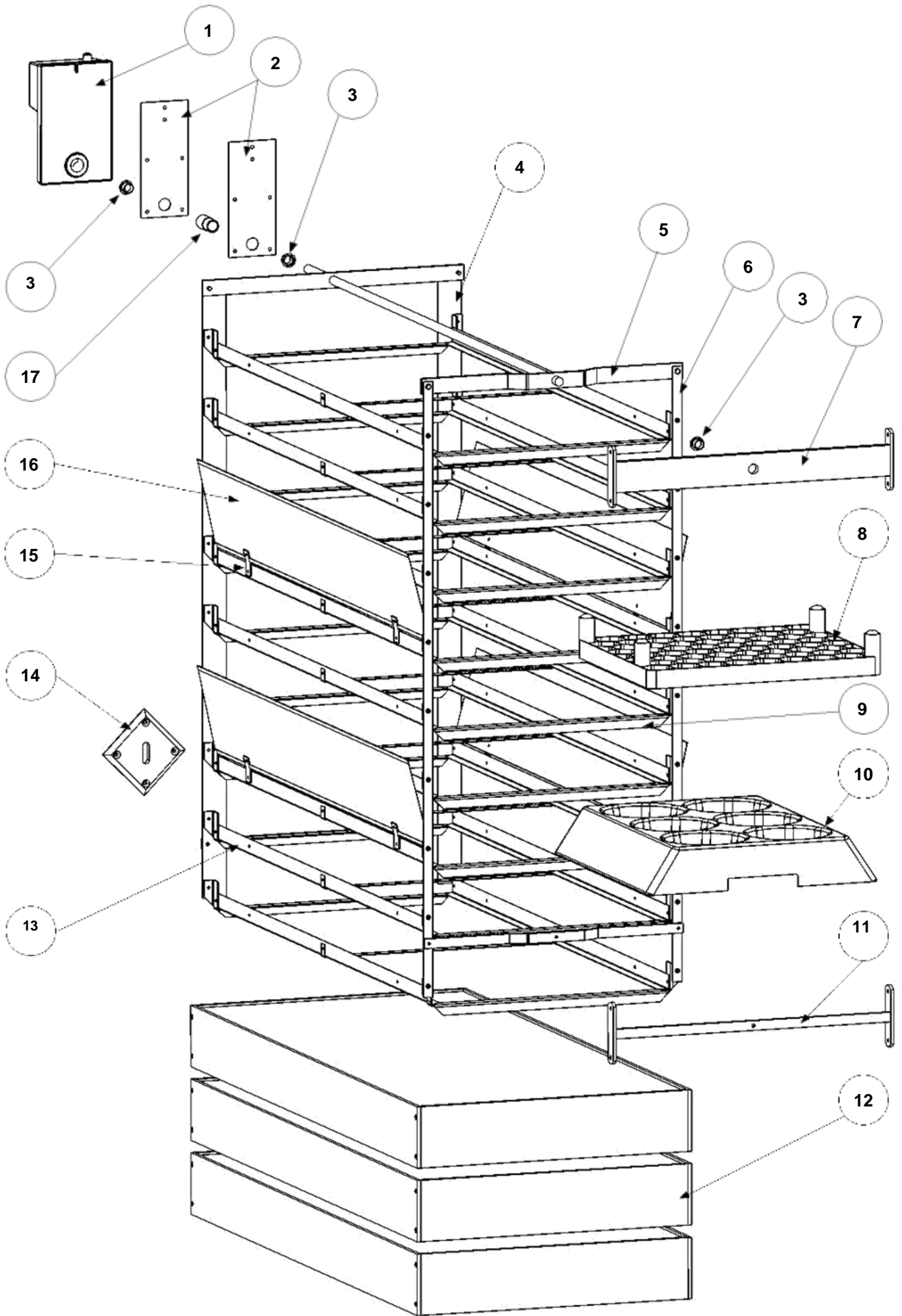
KABINET

Pos.	Ref.No	Benævnelse: Description:
15	6111-033	Bæreskinne for motorplade (for 1/2300-4600, 2/2500-5000-10000) Supporting rail for motor plate (for 1/2300-4600, 2/2500-5000-10000)
	6121-016	Bæreskinne for motorplade (for 3/1700-3400) Supporting rail for motor plate (for 3/1700-3400)
16	6111-026	Dør smal (for 1/2300-4600, 2/2500-5000-10000) Door, narrow (for 1/2300-4600, 2/2500-5000-10000)
17	9 90000001	Luftindtag Ø85 Air inlet Ø85



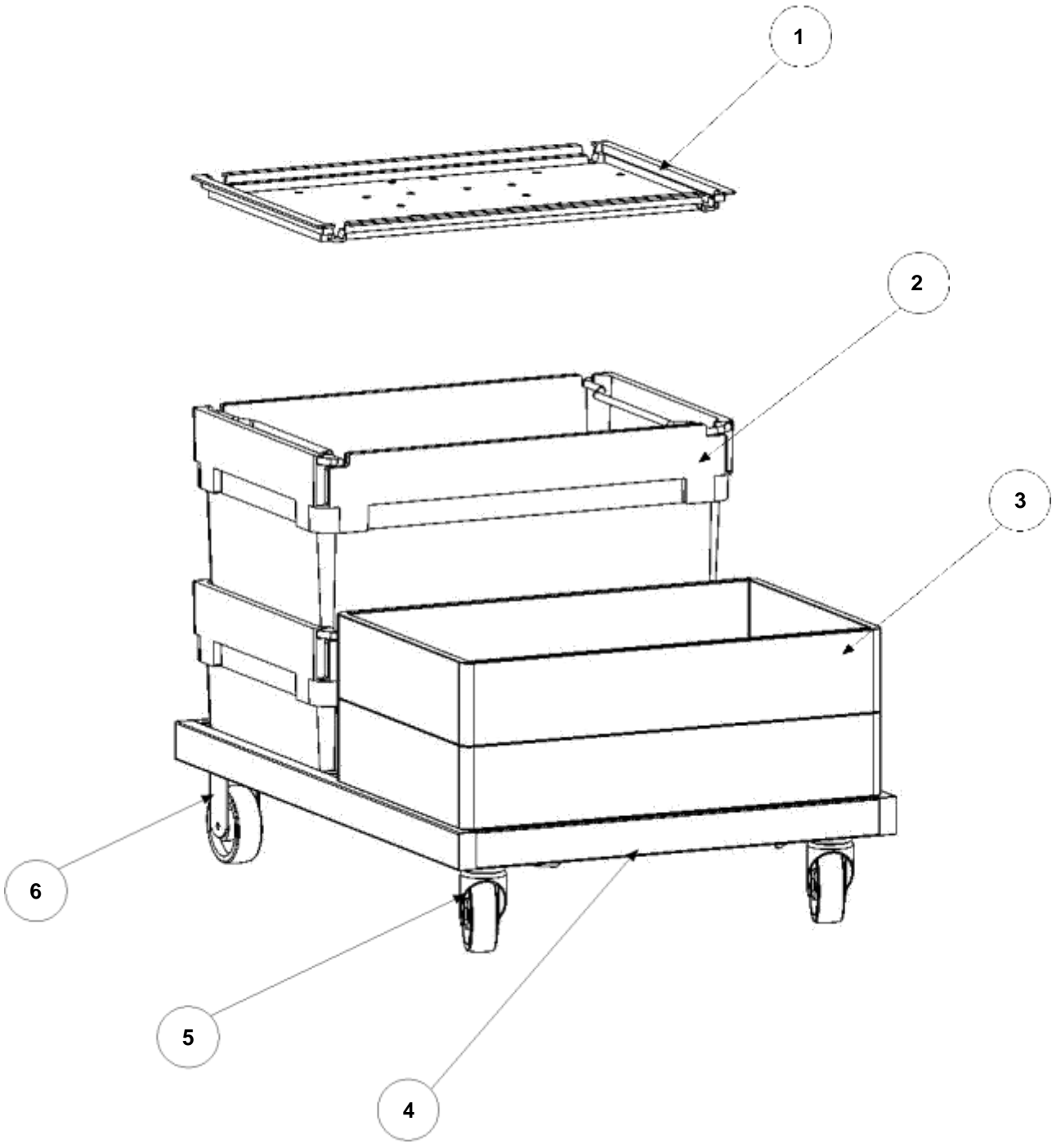
VENDING

Pos.	Ref.No	Benævnelse: Description:
1	0672-691	Vendemotor type SM 220 (før 28-12-2006) Turning motor type SM 220 (Before 28-12-2006)
	74022011	Spjældmotor 230V (Efter 28-12-2006) Louver motor 230V (After 28-12-2006)
2	6111-044	Lejeplade for vending Bearing plate for turning
3	49900031	Teflon bøsning PAF 14120 P10 Teflon bushing PAF 14120 P10
4	6101-006	Rammeophæng bagerst 9 rammer Frame suspension, rear, 9 frames
	6111-003	Rammeophæng bagerst 13 rammer Frame suspension, rear, 13 frames
	6111-063	Rammeophæng bagerst, 12 rammer Frame suspension, rear, 12 frames
5	6111-011	Overramme komplet medium Top frame complete medium
	6111-066	Overramme komplet medium Struds Top frame complete medium Ostrich
6	6101-005	Rammeophæng forrest 9 rammer Frame suspension front 9 frames
	6111-002	Rammeophæng forrest 13 rammer Frame suspension front 13 frames
	6111-062	Rammeophæng forrest 12 rammer Frame suspension front 12 frames
7	6111-020	Ophængøverst forrest u/bøsning Suspension, upper front, w/o bushing
	6113-006	Ophængøverst forrest u/bøsning (for 2/10000) Suspension, upper w/o bushing, (for 2/10000)
8	0611-144	Ægbakke 64 hønseæg Egg tray 64 hen egg
	0611-148	Ægbakke 49 ande/kalkunæg Egg tray 49 duck/turkey eggs
	6138 0015	Ægbakke 221 agerhøns/vagtelæg Egg tray 221 partridge/quail eggs
	6138 0014	Ægbakke 77 perlehøns/fasanæg Egg tray 77 pheasant/quinea fowl eggs



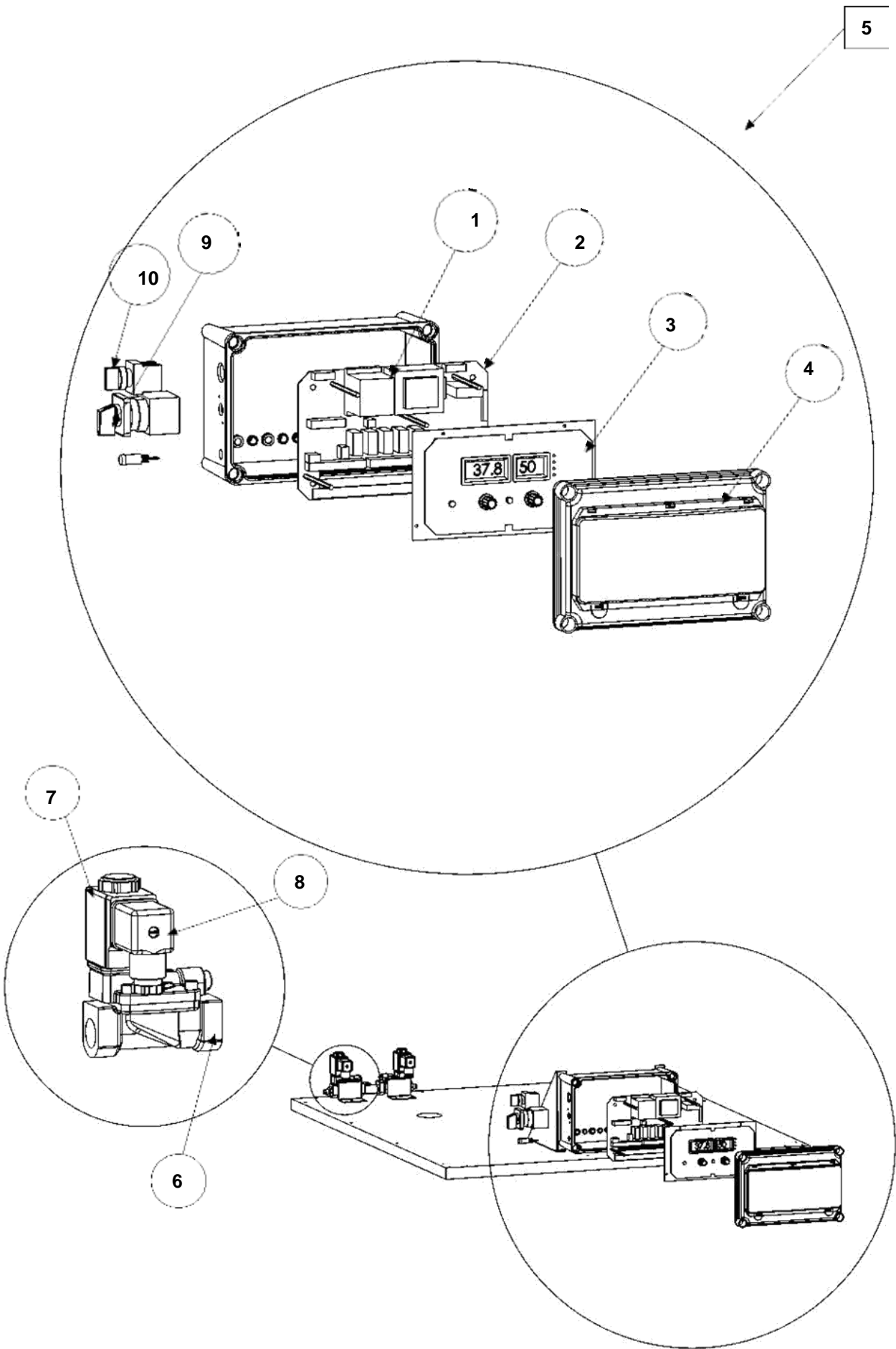
VENDING

Pos.	Ref.No	Benævnelse: Description:
9	6111-004	Endestykke for venderammer End piece for turning frames
10	6821 0025	Ægbakke, 6 strudseæg Egg tray 6 ostrich eggs
	6821 0020	Ægbakke 12 emu/nandueæg Egg tray 12 emu/nandu eggs
11	6111-018	Ophæng nederst forrest for vendearr. Suspension, bottom front, for turning
	6113-004	Ophæng nederst forrest for vendearr. (for 2/10000) Suspension, bottom, for turning (for 2/10000)
12	0621-094	Klækkeskuffe, combi Hatcher drawer, combi
13	6111-005	Skinne for venderammer Rail for turning frames
14	6111-059	Bundstyr venderammer bag Bottom guide, turning
15	6111-050	Hængsel for klap Hinge for flaps
16	6111-013	Luftklap medium Air flaps medium
	6111-073	Luftklap Struds Air flaps Ostrich
17	6111-042	Lejerør for vending Bearing tube for turning



KLÆKKERVOGN

Pos.	Ref.No	Benævnelse: Description:
1	6828 0015	Låg for klækkebakke Struds Lid for hatcher tray Ostrich
2	6828 0010	Klækkebakke emu/nandu/struds (for 3/1700-3400) Hatcher tray emu/nandu/ostrich (for 3/1700-3400)
3	23900341	Klækkebakke standard (for 3/1700-3400) Hatcher tray, standard (for 3/1700-3400)
4	6121-006	Klækkevogn medium kompl. Hatcher trolley medium complete
5	22000000	Svingbart nylonhjul RS leje Ø100 Swivel nylon wheel RS bearing
6	0672-493	Bagerste hjul Rear wheel



STYRING

Pos.	Ref.No	Benævnelse: Description:
1	70202437	Kontaktor DIL EEM-01-G 24V DC Contactor DIL EEM-01-G 24V DC
2	6111-051	Bundprint DIGI 123 Bottom print DIGI 123
3	6111-049	Frontmodul DIGI 123 Front module DIGI 123
4	70100069	Dæksel m/hængselåg DIGI 123 Cover w/hinged lid DIGI 123
5	6111-048	Styring DIGI-123 Control unit DIGI 123
6	79900002	Magnetventil EVSI15 u/spole Solenoid valve EVSI15 w/o coil
7	79922007	Spole AMP-9W-240VAC-50Hz-42N Coil AMP-9W-240VAC-50Hz-42N
8	79922008	Stikdåse AMP Plug socket AMP
10	70100067	Hovedafbryder DIGI 123 Main switch DIGI 123
11	70100068	Omskifter for vending DIGI 123 Reverser for turning DIGI 123